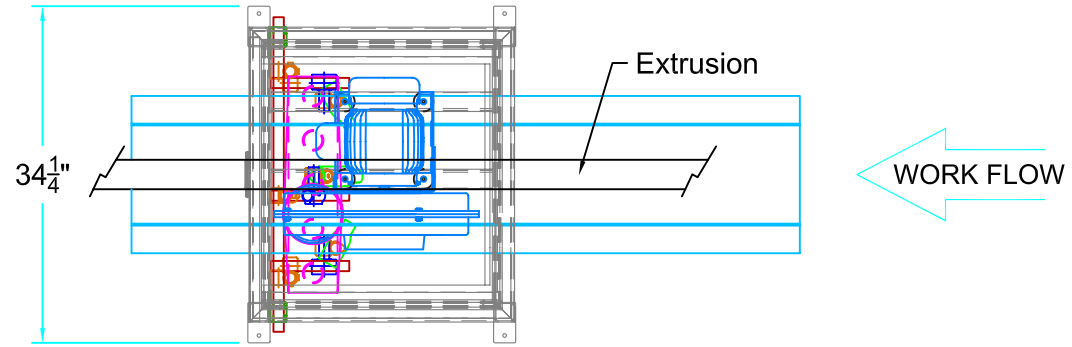
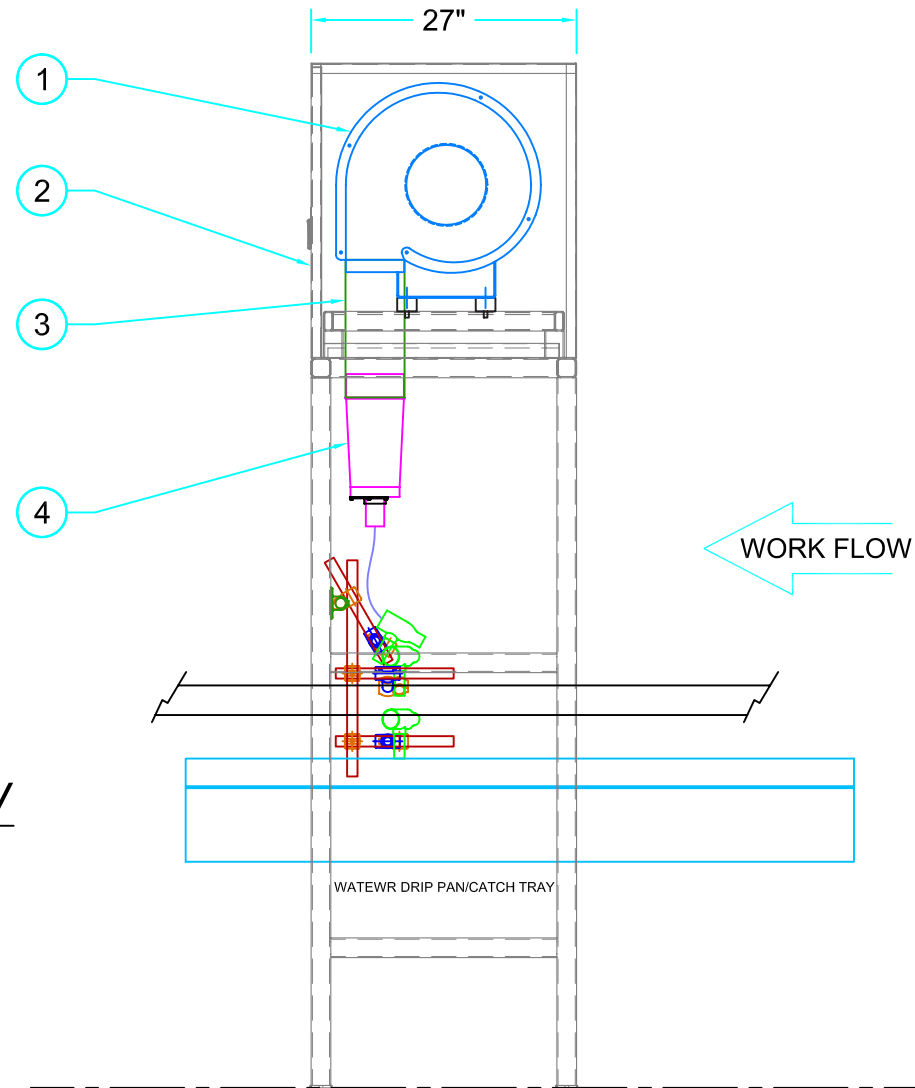


PLAN VIEW



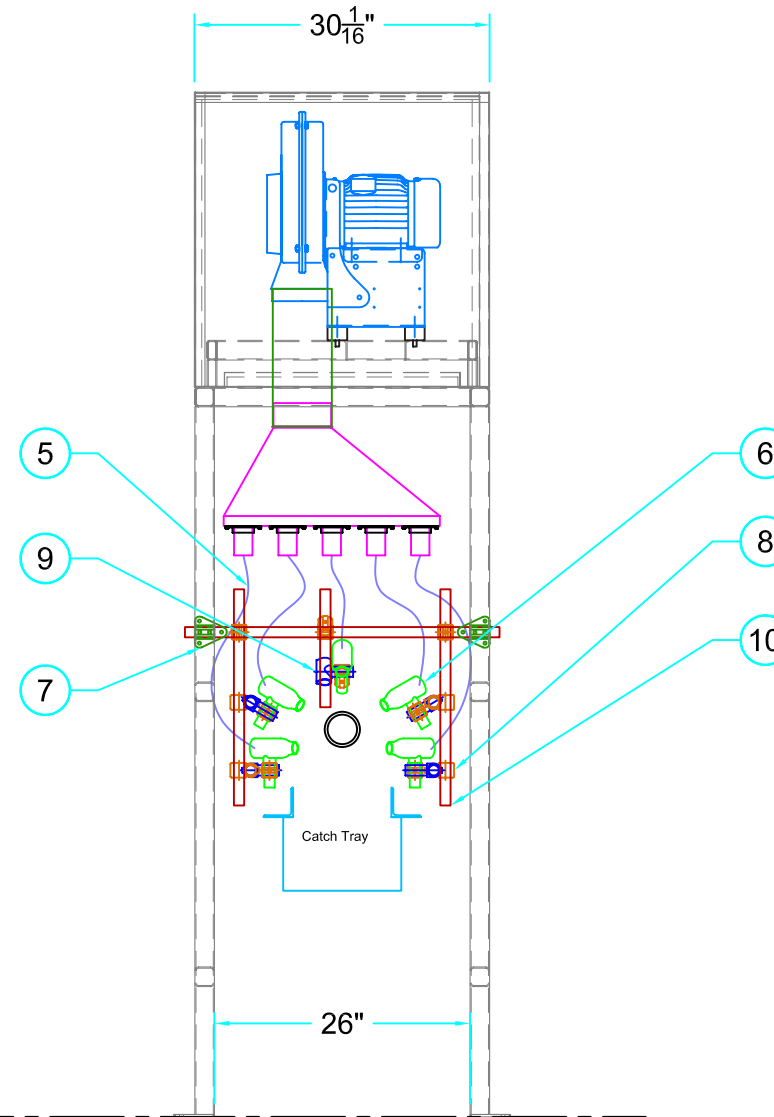
FRONT VIEW



NO.	QTY	DESCRIPTION
1	1	AIR FORCE 1 BLOWER ASSEMBLY MODEL # AF1-FRP-ME-KA03-3600-CWBB
2	1	SOUND ENCLOSURE BASE FRAME SE-BF-ME-02-CWBB
3	1	Ø6" SPIRAL DUCT - 2'
4	1	DISTRIBUTION PLENUM - TAP6in-2inx5
5	LOT	Ø2" FLEXHOSE - LOT
6	5	AIR CANNON - MODEL # AF1-AC000-3
7	2	Ø3/4" WALL CLAMP MODEL # AF1-WCP-3
8	12	Ø3/4" CROSSOVER CLAMP MODEL # AF1-CC-3
9	5	Ø3/4" SWIVEL CLAMP MODEL # AF1-SC-3
10	LOT	Ø1" ALUMINUM PIPE - SUPPLIED BY OTHERS

SIDE VIEW

(PRODUCT FLOWS INTO PAPER)



Air Force 1 Blow Off Systems

Phone: (519) 746-5035
E-mail: af1@af1.com

DRAWN BY: CEW	DATE: 22-MAY-08
CHK BY:	DATE:
ENG. APPR:	DATE:

UNLESS OTHERWISE SPECIFIED:
DIMENSIONS ARE IN INCHES
TOLERANCES:
FRACTIONAL ± 1/8"
ANGULAR: MACH ± .5 BEND ± .01
TWO PLACE DECIMAL ± .01
THREE PLACE DECIMAL ± .001
FOUR PLACE DECIMAL ± .0005
INTERPRET GEOMETRIC TOLERANCING PER: ASME Y14.5M-1994

PROPRIETARY AND CONFIDENTIAL
THE INFORMATION CONTAINED IN THIS DRAWING IS THE SOLE PROPERTY OF AIR FORCE 1 BLOW OFF SYSTEMS. ANY REPRODUCTION IN PART OR AS A WHOLE WITHOUT THE WRITTEN PERMISSION OF AIR FORCE 1 BLOW OFF SYSTEMS IS PROHIBITED.

No.	REVISION	DATE	BY

CAD FILE NAME: 08-19620-001

DRAWING TITLE: MASKING DRYOFF Extrusion Drying		REV:
CUSTOMER:		A
SCALE: 1"=1'-8" 1:20	DRAWING NO. / W.O.# 08-19620-001	
	QUOTE NO. 08-19620-JD	