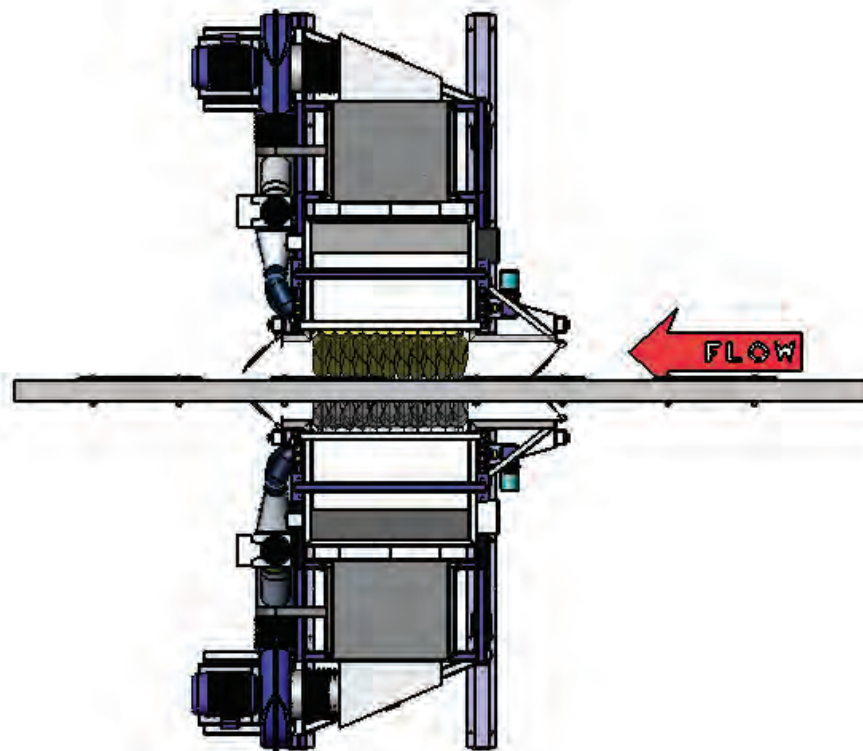
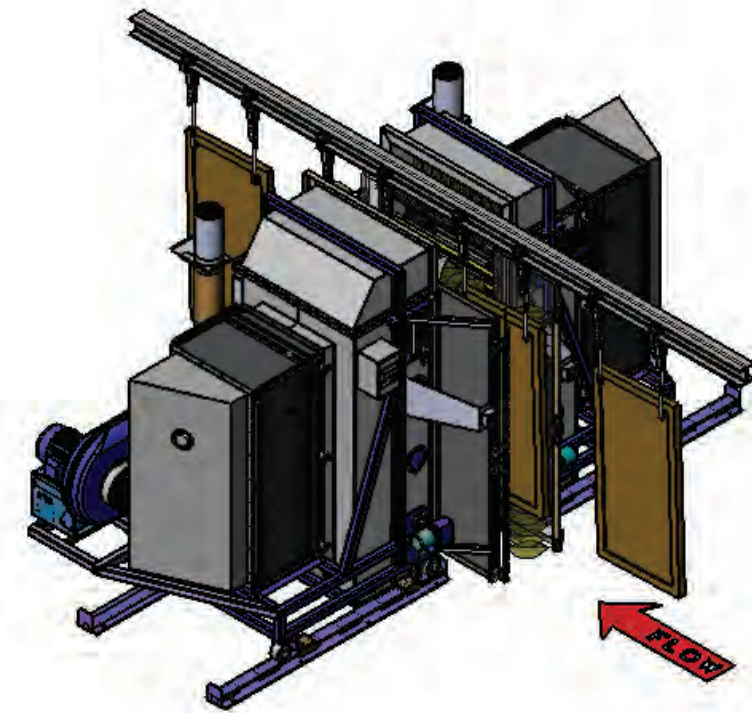


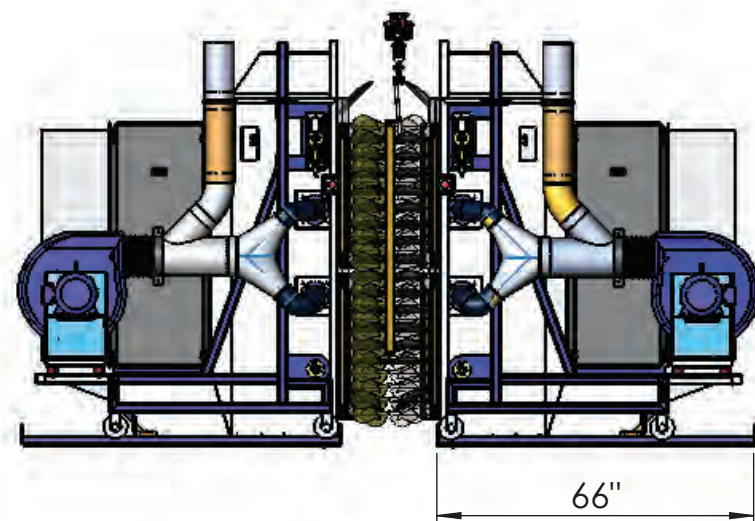
EXIT ISOMETRIC



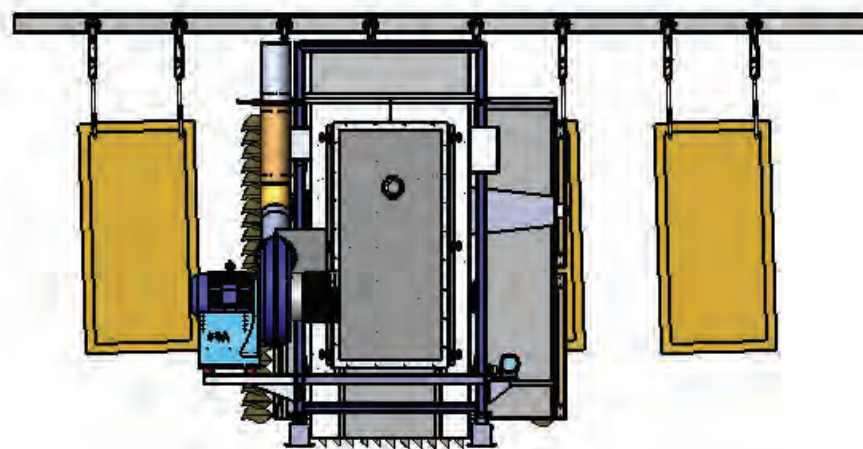
PLAN VIEW



ENTRY ISOMETRIC

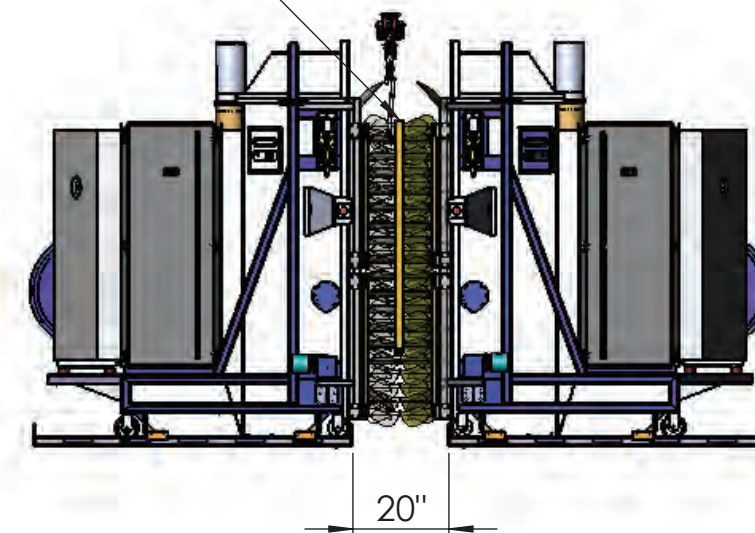


EXIT ELEVATION
(PRODUCT MOVES OUT OF PAPER)



END ELEVATION

CENTER FEATHER
DUSTERS AROUND
PRODUCT



ENTRY ELEVATION
(PRODUCT MOVES INTO PAPER)



Air Force 1 Blow Off Systems

phone: (519) 746-5035
www.af1.com

DRAWN BY: CEW DATE: 01-JUL-08
CHK BY: DATE:
ENG. APPR: DATE:

UNLESS OTHERWISE SPECIFIED:
DIMENSIONS ARE IN INCHES
TOLERANCES:
FRACTIONAL ± 1/8"
ANGULAR: MACH ± .5 BEND ± .01
TWO PLACE DECIMAL ± .01
THREE PLACE DECIMAL ± .001
FOUR PLACE DECIMAL ± .0005
INTERPRET GEOMETRIC
TOLERANCING PER: ASME Y14.5M-1994

PROPRIETARY AND CONFIDENTIAL
THE INFORMATION CONTAINED IN THIS DRAWING IS
THE SOLE PROPERTY OF AIR FORCE 1 BLOW OFF
SYSTEMS. ANY REPRODUCTION IN WHOLE OR IN
PART WITHOUT THE WRITTEN PERMISSION OF AIR
FORCE 1 BLOW OFF SYSTEMS IS PROHIBITED.

No.	REVISION	DATE	BY
CAD FILE NAME: 07-16280-200			
SIZE: B SIZE		SCALE: 1:40	

DRAWING TITLE:
TWIN VERTICAL POD
FEATHER DUSTER
DOUBLE UNIT LAYOUT

CUSTOMER:
WEBSITE

SCALE: 1:40
07-16280-200
SHEET 1 OF 1

REV:
0