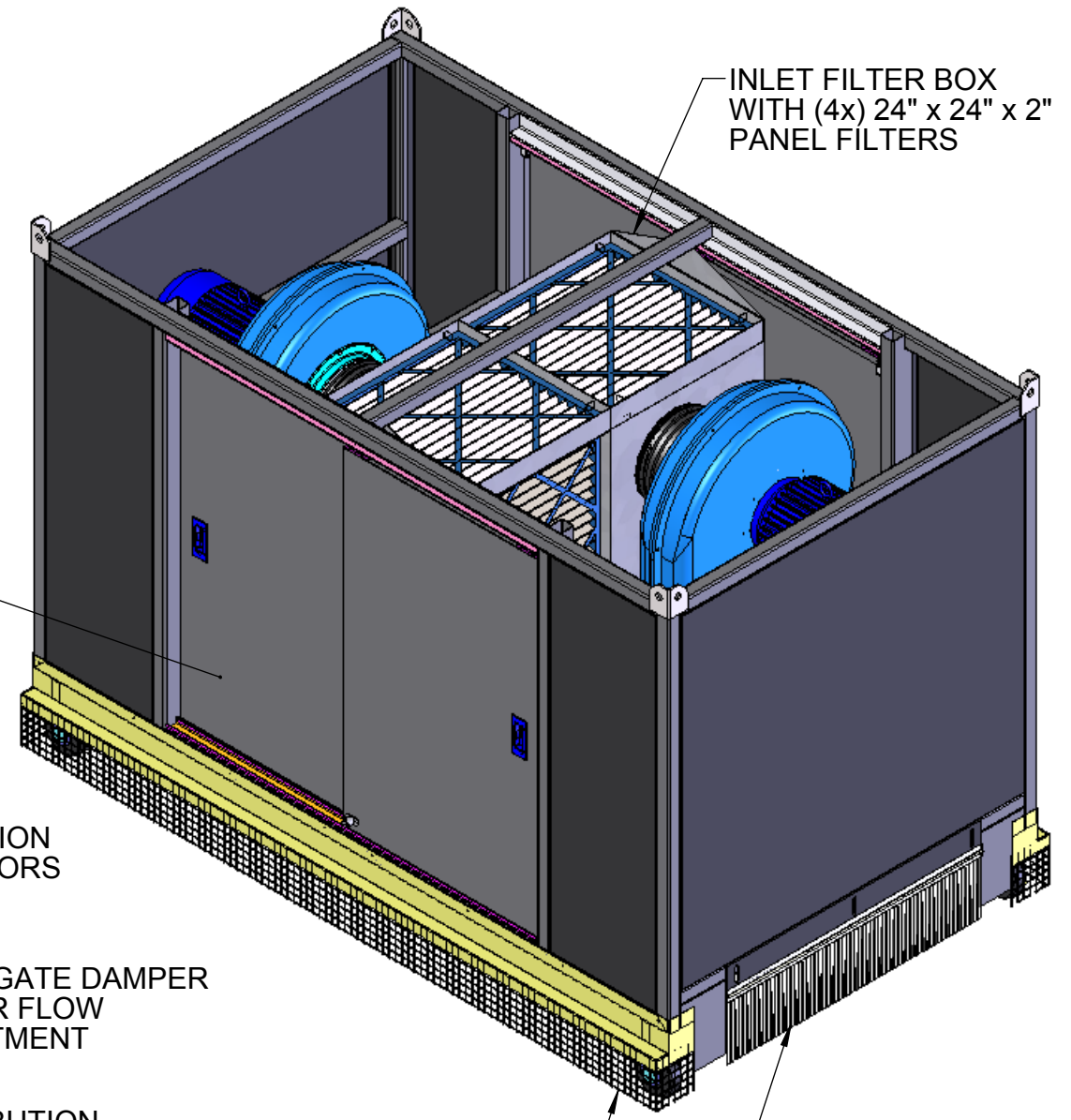


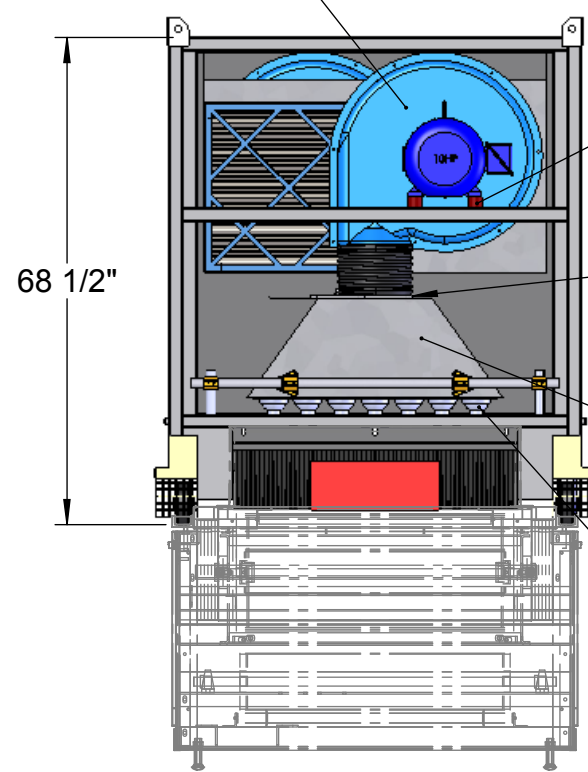
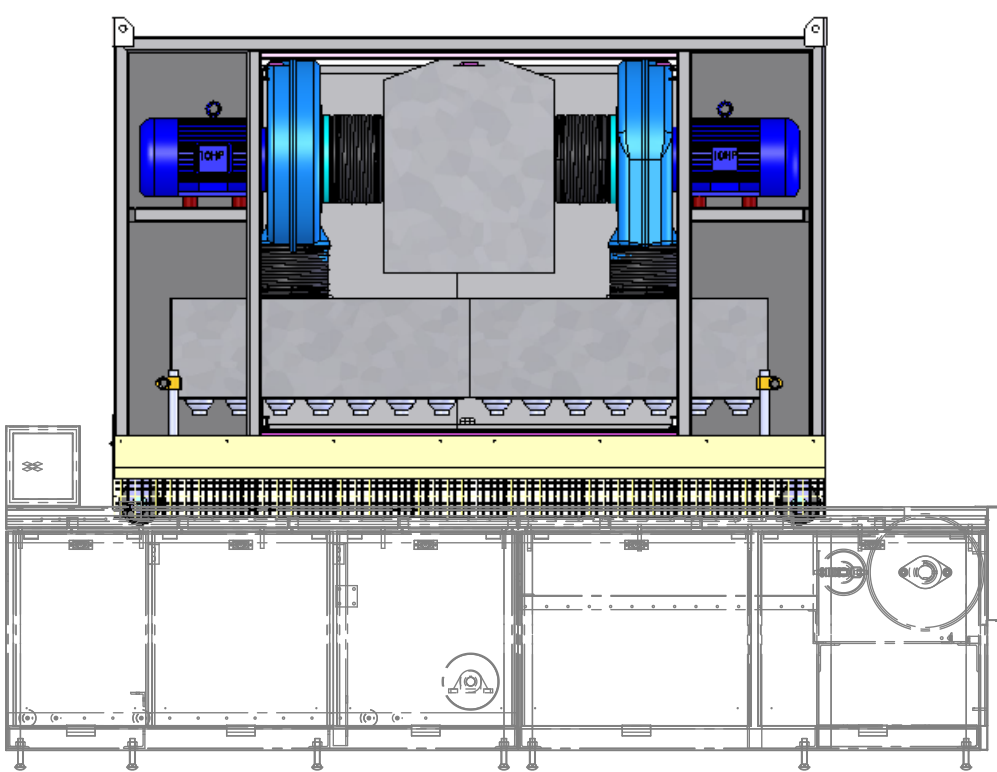
**BOTTOM VIEW**



(2x) AIR FORCE 1 BLOWER ASSEMBLY

SLIDING ACCESS DOORS

INLET FILTER BOX WITH (4x) 24" x 24" x 2" PANEL FILTERS



VIBRATION ISOLATORS

BLAST GATE DAMPER FOR AIR FLOW ADJUSTMENT

DISTRIBUTION PLENUM

(50x) LOW PROFILE AIR NOZZLE

CASTER GUARDING

DEBRIS CONTAINMENT CURTAINS

**NOTES:**

QTY: 1 REQ'D

MATERIAL: SATIN COAT  
FINISH: PAINTED BLACK



**Air Force 1 Blow Off Systems**

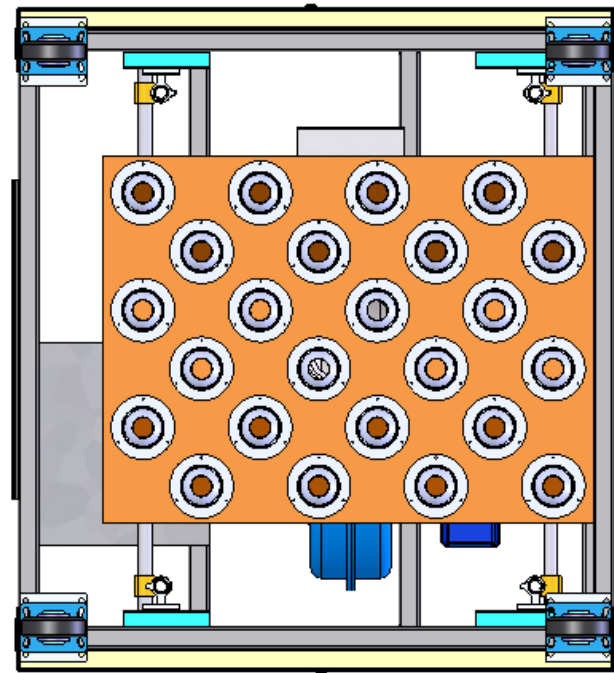
609 Colby Drive, Waterloo  
Ontario, N2V 1A1, Canada  
phone: (519) 746-5035  
www.af1.com

DRAWN BY: CEW DATE: 2-FEB-11  
CHK BY: DATE:  
ENG. APPR: DATE:

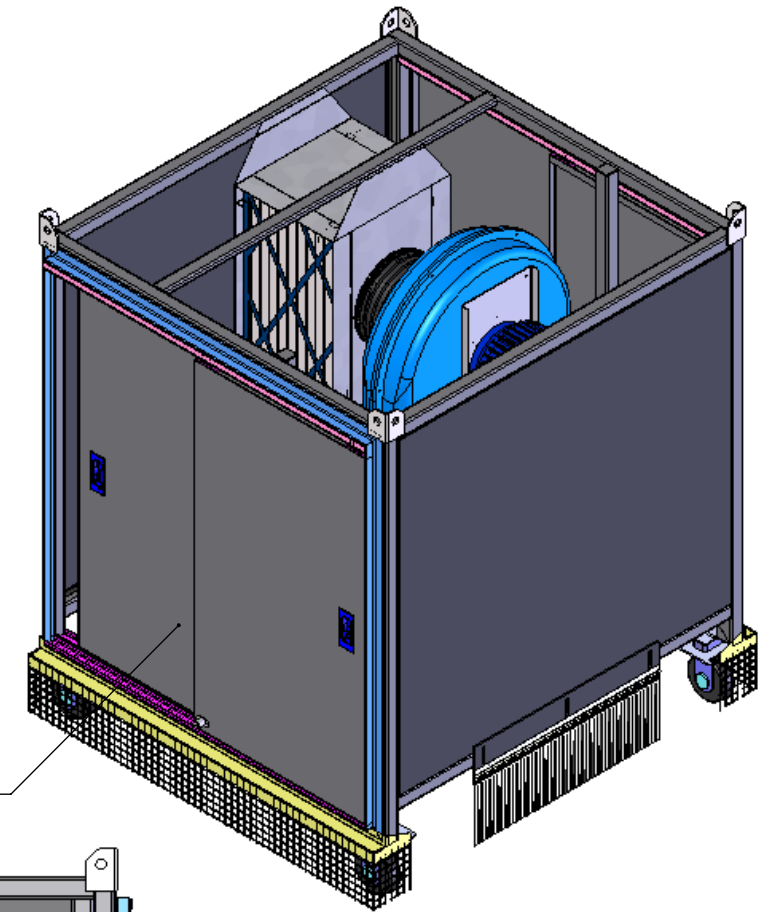
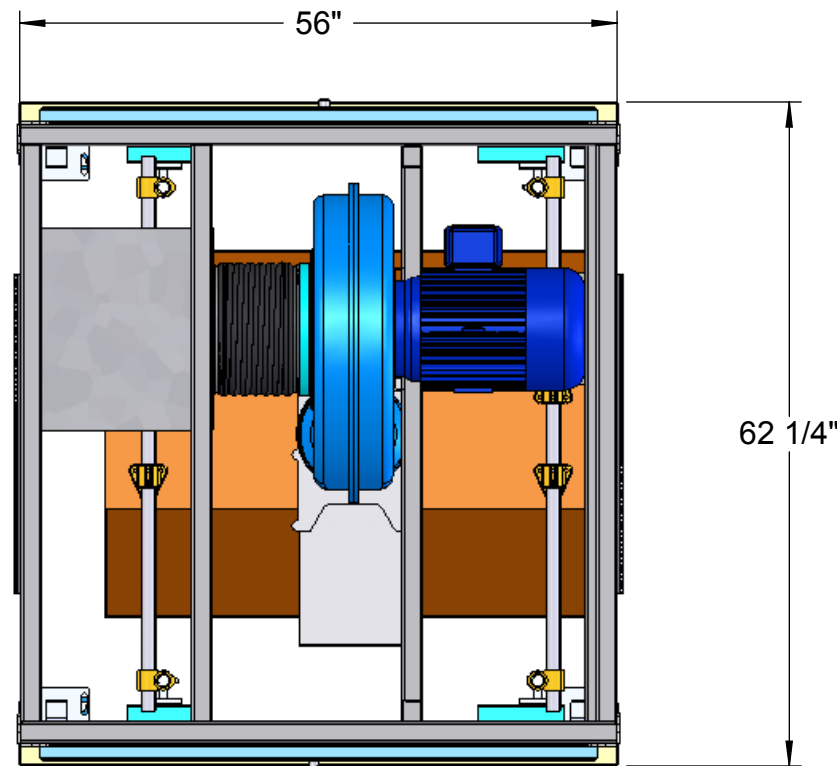
UNLESS OTHERWISE SPECIFIED:  
DIMENSIONS ARE IN INCHES  
TOLERANCES:  
FRACTIONAL ± 1/8"  
ANGULAR MACH ± .5 BEND ± .01  
TWO PLACE DECIMAL ± .01  
THREE PLACE DECIMAL ± .001  
FOUR PLACE DECIMAL ± .0005  
INTERPRET GEOMETRIC  
TOLERANCING PER: ASME Y14.5M-1994  
PROPRIETARY AND CONFIDENTIAL  
THE INFORMATION CONTAINED IN THIS DRAWING IS  
THE SOLE PROPERTY OF AIR FORCE 1 BLOW OFF  
SYSTEMS. ANY REPRODUCTION IN WHOLE OR IN  
PART WITHOUT THE WRITTEN PERMISSION OF AIR  
FORCE 1 BLOW OFF SYSTEMS IS PROHIBITED.

| No.  | REVISION | DATE | BY |
|--|----------|------|----|
| CAD FILE NAME: <b>10-27765-001</b> SIZE: <b>B SIZE</b> |          |      |    |

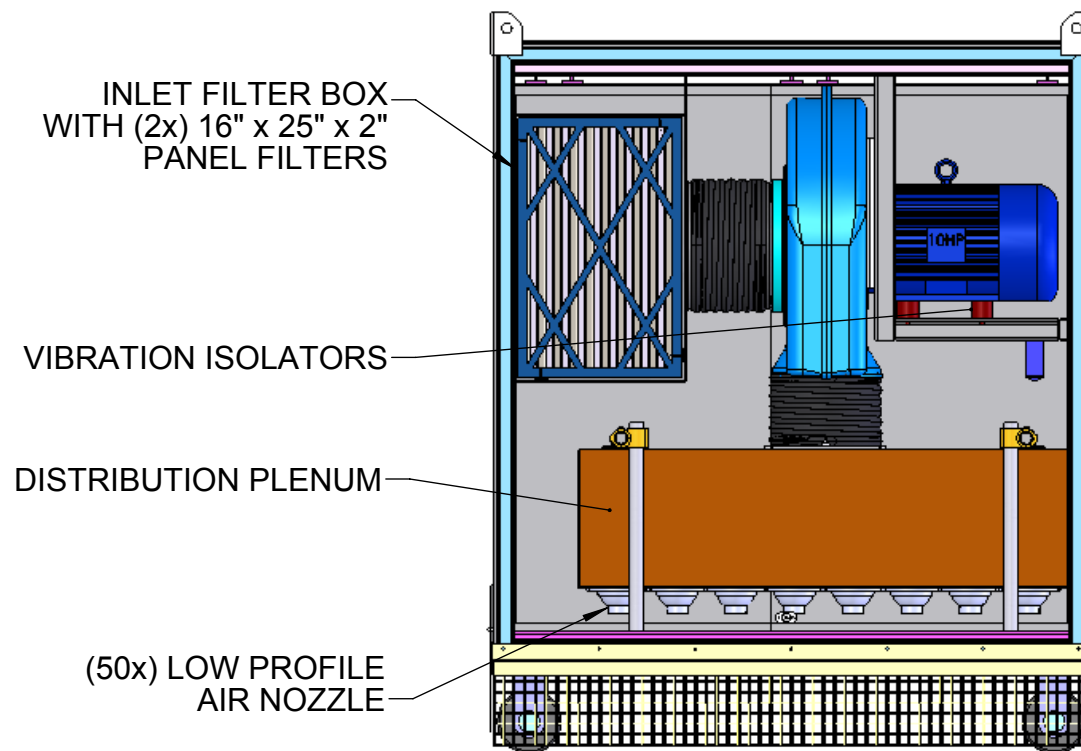
|  |                                |
|--|--------------------------------|
| DRAWING TITLE:<br><b>MODULAR COOL DOWN STATION<br/>(50x) LOW PROFILE AIR NOZZLES</b> |                                |
| CUSTOMER:<br><b>AF1</b>  |                                |
| SCALE: 1:27  | DWG NO:<br><b>10-27765-001</b> |
| SHEET 1 OF 1   |                                |
| REV: <b>0</b>  |                                |



**BOTTOM VIEW**



SLIDING ACCESS DOORS

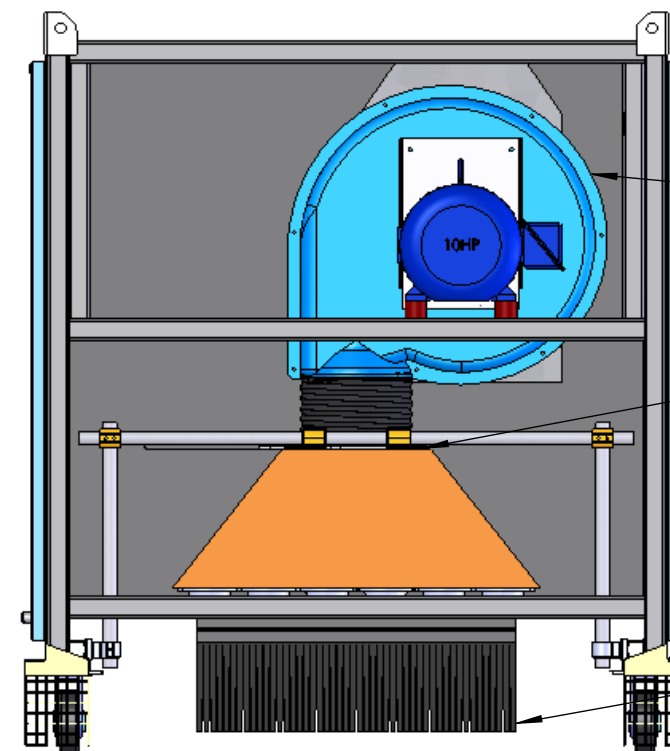


INLET FILTER BOX WITH (2x) 16" x 25" x 2" PANEL FILTERS

VIBRATION ISOLATORS

DISTRIBUTION PLENUM

(50x) LOW PROFILE AIR NOZZLE



AIR FORCE 1 BLOWER ASSEMBLY

BLAST GATE DAMPER FOR AIR FLOW ADJUSTMENT

CASTER GUARDING

DEBRIS CONTAINMENT CURTAINS

**NOTES:**

QTY: 1 REQ'D

MATERIAL: GALVANIZED



**Air Force 1 Blow Off Systems**

609 Colby Drive, Waterloo  
Ontario, N2V 1A1, Canada  
phone: (519) 746-5035  
www.af1.com

DRAWN BY: CEW DATE: DD-MAR-09  
CHK BY: DATE:  
ENG. APPR: DATE:

UNLESS OTHERWISE SPECIFIED:  
DIMENSIONS ARE IN INCHES  
TOLERANCES:  
FRACTIONAL ± 1/8"  
ANGULAR MACH ± .5 BEND ± .01  
TWO PLACE DECIMAL ± .01  
THREE PLACE DECIMAL ± .001  
FOUR PLACE DECIMAL ± .0005  
INTERPRET GEOMETRIC  
TOLERANCING PER: ASME Y14.5M-1994  
PROPRIETARY AND CONFIDENTIAL  
THE INFORMATION CONTAINED IN THIS DRAWING IS  
THE SOLE PROPERTY OF AIR FORCE 1 BLOW OFF  
SYSTEMS. ANY REPRODUCTION IN WHOLE OR IN  
PART WITHOUT THE WRITTEN PERMISSION OF AIR  
FORCE 1 BLOW OFF SYSTEMS IS PROHIBITED.

| No.  | REVISION | DATE | BY |
|--|----------|------|----|
| CAD FILE NAME: <b>XX-XXXXX-XXX</b> SIZE: <b>B SIZE</b> |          |      |    |

|  |                                |
|--|--------------------------------|
| DRAWING TITLE:<br><b>MODULAR COOL DOWN STATION<br/>(24x) LOW PROFILE AIR NOZZLES</b> |                                |
| CUSTOMER:<br><b>AF1</b>  |                                |
| SCALE: 1:18  | DWG NO:<br><b>XX-XXXXX-XXX</b> |
| SHEET 1 OF 1   |                                |
| REV: <b>0</b>  |                                |