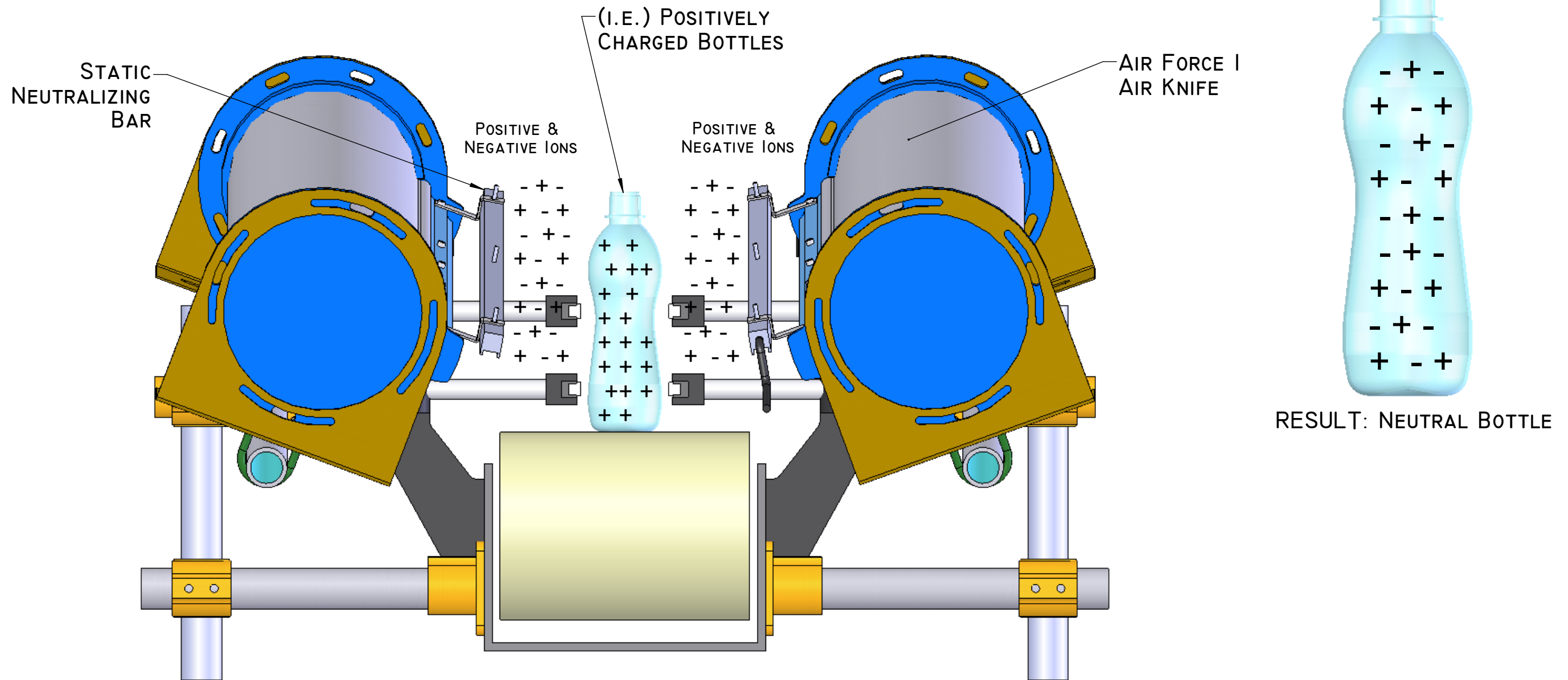

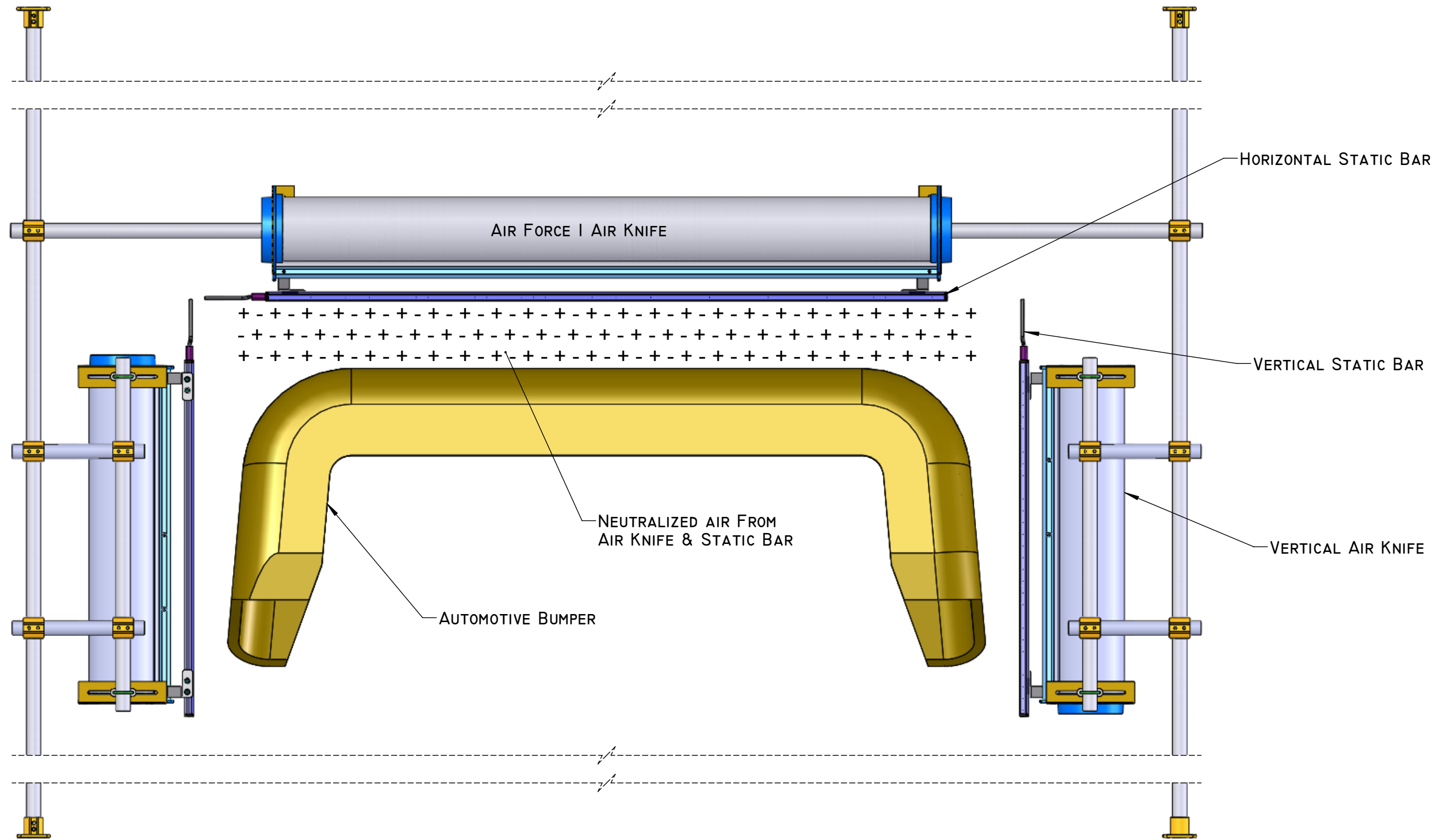



USING AN AIR FORCE 1 BLOW OFF SYSTEM, POSITIVE AND NEGATIVE IONS ARE EMITTED FROM THE STATIC BAR AND THWEN BLOWN ONTO THE PLASTIC BOTTLES. THE RESULT IS A DE-IONIZED, NEUTRAL BOTTLE. THIS APPLICATION IS USEFUL IN THE FOLLOWING AREAS:

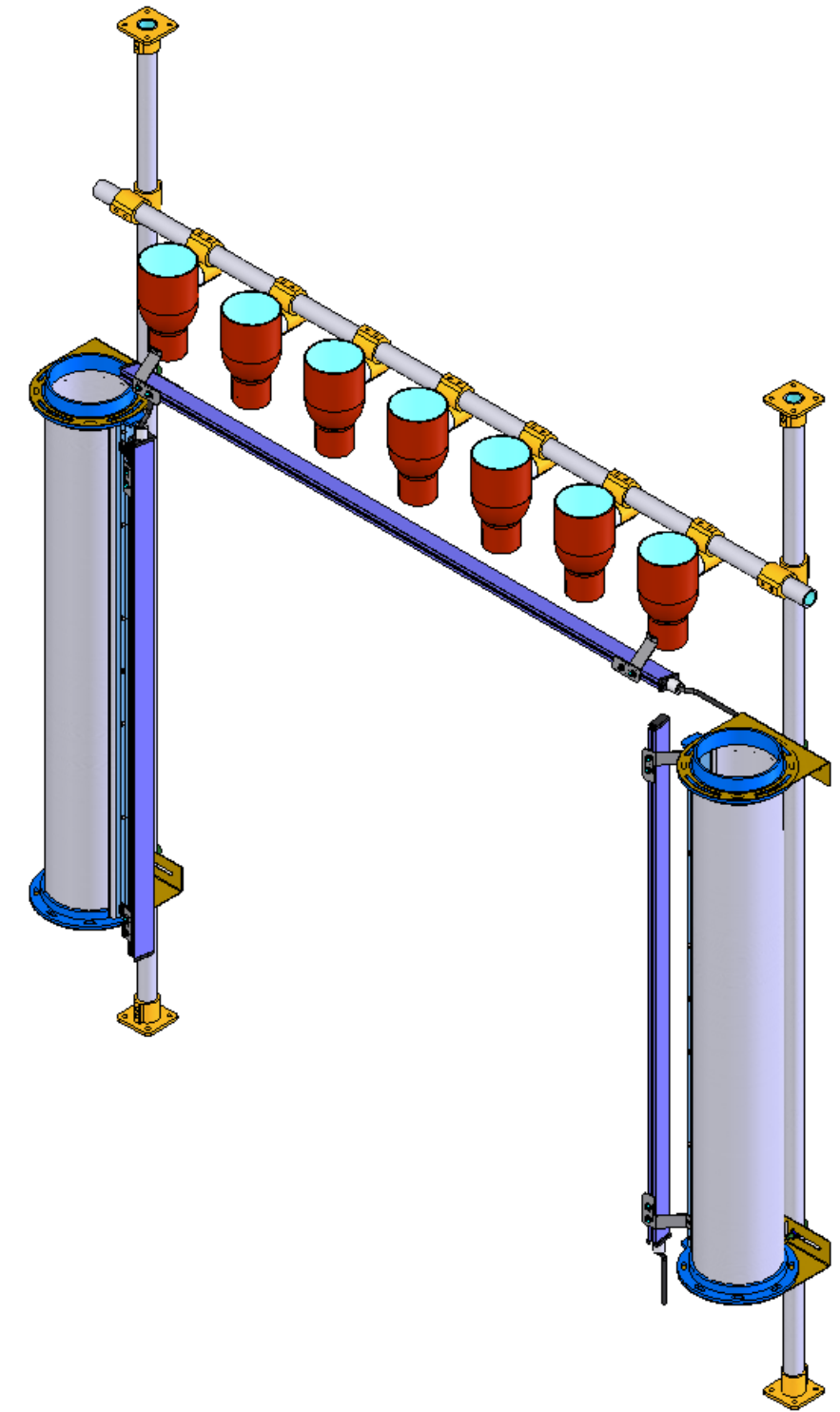
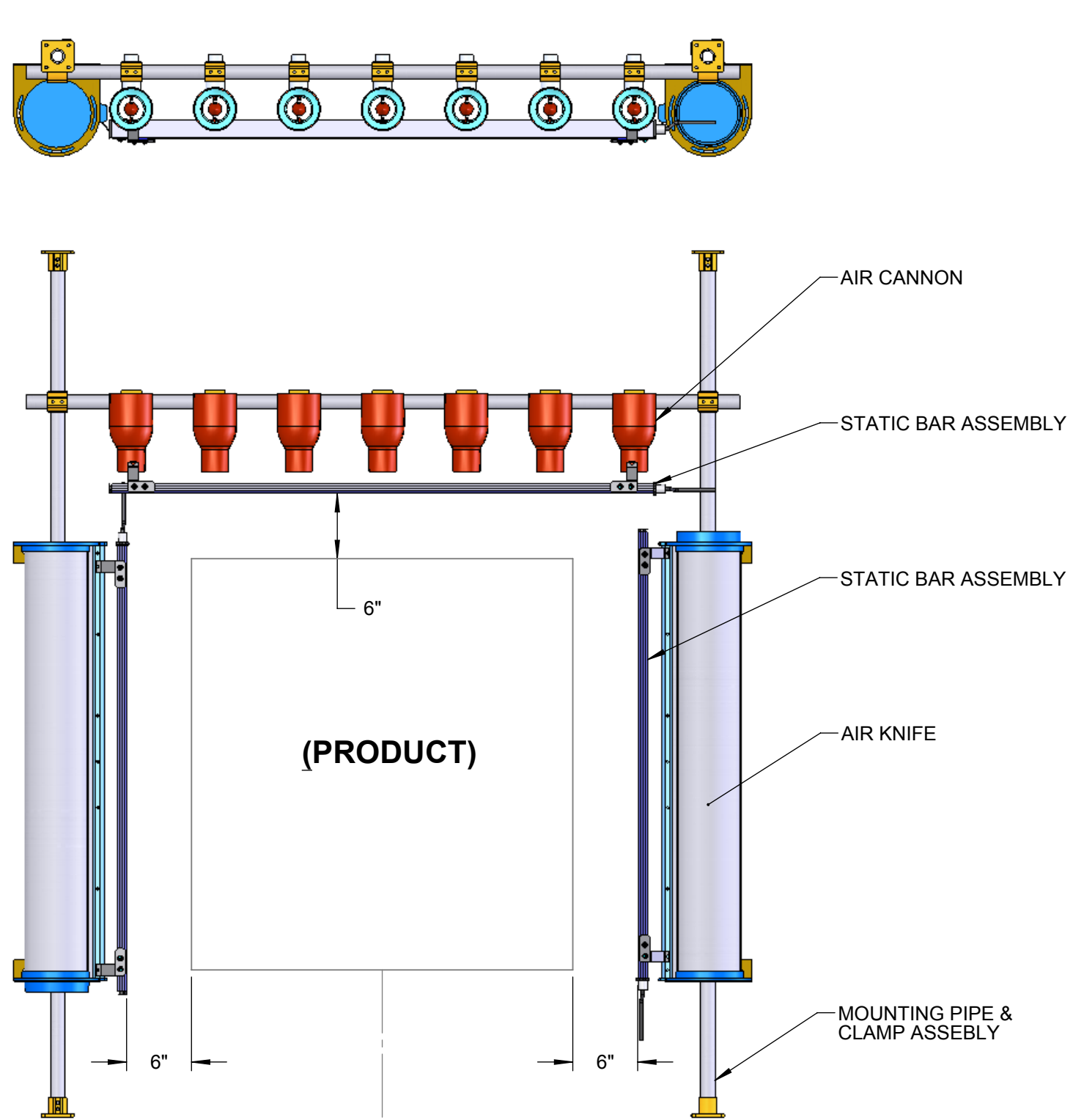
- PREVENTING DUST BUILD UP AND CONTAMINATION
- PREVENTING TOPPLING OF BOTTLES DUE TO REPULSION OF LIKE ELECTROSTATIC FORCES
- PREVENTING POTENTIAL SPARKING
- PREVENTING LABEL ADHESION ISSUES



 <p>Air Force 1 Blow Off Systems 609 Colby Drive, Waterloo Ontario, N2V 1A1, Canada phone: (519) 746-5035 www.af1.com</p>	DRAWN BY: ChodW DATE: DD-JAN-10 CHK BY: DATE: ENG. APPR: DATE:	DRAWING TITLE:		
	UNLESS OTHERWISE SPECIFIED: DIMENSIONS ARE IN INCHES TOLERANCES: FRACTIONAL ± 1/8" ANGULAR MACH ± .5 BEND ± .01 TWO PLACE DECIMAL ± .01 THREE PLACE DECIMAL ± .001 FOUR PLACE DECIMAL ± .0005 INTERPRET GEOMETRIC TOLERANCING PER: ASME Y14.5M-1994 PROPRIETARY AND CONFIDENTIAL THE INFORMATION CONTAINED IN THIS DRAWING IS THE SOLE PROPERTY OF AIR FORCE 1 BLOW OFF SYSTEMS. ANY REPRODUCTION IN WHOLE OR IN PART WITHOUT THE WRITTEN PERMISSION OF AIR FORCE 1 BLOW OFF SYSTEMS IS PROHIBITED.	CUSTOMER:		
	No. REVISION DATE BY	SCALE: 1:3.5		
	CAD FILE NAME: XX-XXXXX-XXX SIZE: B SIZE	DWG NO: XX-XXXXX-XXX REV: 0		SHEET 1 OF 1



 <p>Air Force 1 Blow Off Systems 609 Colby Drive, Waterloo Ontario, N2V 1A1, Canada phone: (519) 746-5035 www.af1.com</p>	DRAWN BY: ChodW DATE: DD-JAN-10 CHK BY: DATE: ENG. APPR: DATE:			DRAWING TITLE: STATIC NEUTRALIZING BARS - BUMPER DESTAT CONCEPT	
	UNLESS OTHERWISE SPECIFIED: DIMENSIONS ARE IN INCHES TOLERANCES: FRACTIONAL ± 1/8" ANGULAR MACH ± .5 BEND ± .01 TWO PLACE DECIMAL ± .01 THREE PLACE DECIMAL ± .001 FOUR PLACE DECIMAL ± .0005 INTERPRET GEOMETRIC TOLERANCING PER: ASME Y14.5M-1994 PROPRIETARY AND CONFIDENTIAL THE INFORMATION CONTAINED IN THIS DRAWING IS THE SOLE PROPERTY OF AIR FORCE 1 BLOW OFF SYSTEMS. ANY REPRODUCTION IN WHOLE OR IN PART WITHOUT THE WRITTEN PERMISSION OF AIR FORCE 1 BLOW OFF SYSTEMS IS PROHIBITED.	No. REVISION DATE BY		CUSTOMER: AF1	
		CAD FILE NAME: XX-XXXXXX-XXX		SCALE: 1:10 DWG NO: XX-XXXXXX-XXX REV: 0	
		SIZE: B SIZE		SHEET 1 OF 1	



Air Force 1 Blow Off Systems
 609 Colby Drive, Waterloo
 Ontario, N2V 1A1, Canada
 phone: (519) 746-5035
 www.af1.com

DRAWN BY: ChadW DATE: DD-JAN-10
 CHK BY: DATE:
 ENG. APPR: DATE:
 UNLESS OTHERWISE SPECIFIED:
 DIMENSIONS ARE IN INCHES
 TOLERANCES:
 FRACTIONAL ± 1/8"
 ANGULAR MACH ± .5 BEND ± .01
 TWO PLACE DECIMAL ± .01
 THREE PLACE DECIMAL ± .001
 FOUR PLACE DECIMAL ± .0005
 INTERPRET GEOMETRIC
 TOLERANCING PER: ASME Y14.5M-1994
 PROPRIETARY AND CONFIDENTIAL
 THE INFORMATION CONTAINED IN THIS DRAWING IS
 THE SOLE PROPERTY OF AIR FORCE 1 BLOW OFF
 SYSTEMS. ANY REPRODUCTION IN WHOLE OR IN
 PART WITHOUT THE WRITTEN PERMISSION OF AIR
 FORCE 1 BLOW OFF SYSTEMS IS PROHIBITED.

No.	REVISION	DATE	BY
CAD FILE NAME: 07-17300-001			
SIZE: B SIZE			

DRAWING TITLE: NEUTRALIZING/STATIC CONTROL AIR CANNON & AIR KNIFE SYSTEM CONCEPT LAYOUT	
CUSTOMER: AF1	
SCALE: 1:13	DWG NO: 07-17300-001
SHEET 1 OF 1	
REV: 0	